

MIXERS



Application

B&P offers a wide range of mixers used in the food, chemical and pharmaceuticals industries. Our engineers develop equipment used for various processes in the following manufacturing areas: beverages, milk, sweets, cosmetics, soaps, oils, pharmaceuticals, paints and varnishes.

Design

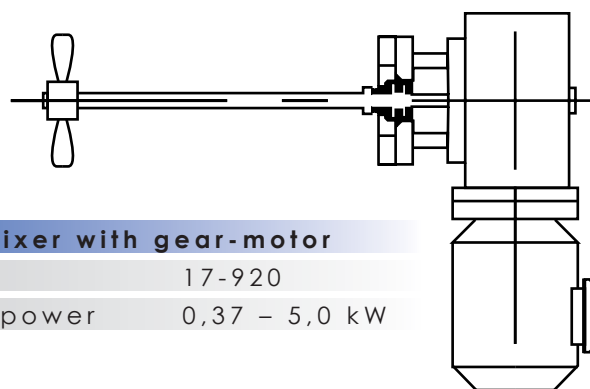
Containers with mixers are individually matched to the size of customer's containers as well as the products to be mixed. These solutions are delivered in containers of capacities between approx. 300 and 200,000 litre. Viscosity may be up to 400,000 mPa or more in individual cases.

Additionally, the mixers may be fitted with typically used seals, such as the radial shaft seal or slide seal. All the parts in the containers, such as shafts and the mixer can be produced to suit a food-friendly environment.

Benefits

- High quality
- Short mixing time
- Product-friendly
- Product heating not required

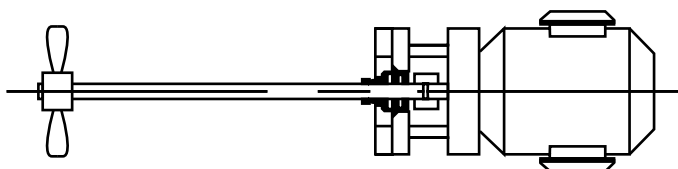
Deliverables



Side mixer with gear-motor	
rpm	17-920
Motor power	0,37 – 5,0 kW

Side mixer - light

rpm	920
Motor power	0,37 – 5,0 kW



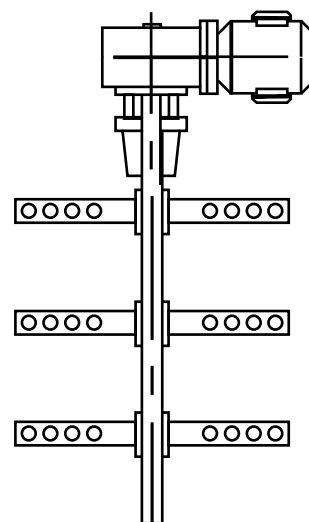
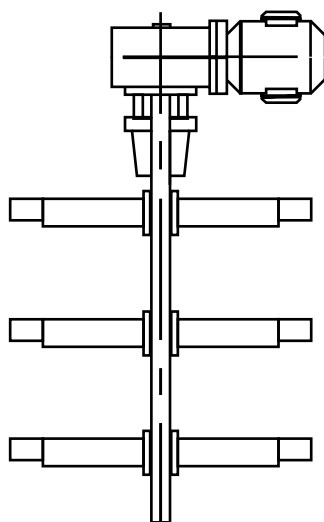
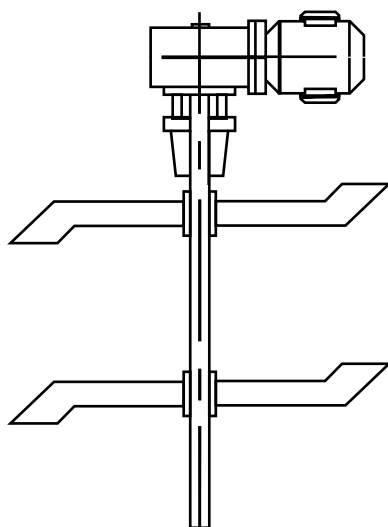
MIXERS



Paddle mixer - vertical

rpm 13 - 100

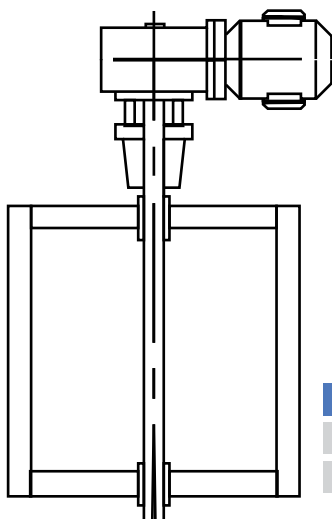
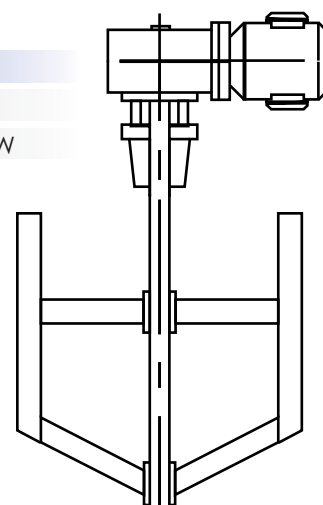
Motor power 1,5 - 22 kW



Frame mixer - vertical

rpm 13 - 100

Motor power 1,5 - 22 kW



Horseshoe mixer - vertical

rpm 13 - 100

Motor power 1,5 - 22 kW